



Grâce à leur facilité d'installation et leur versatilité, les panneaux solaires Enerwatt s'adaptent aisément à une variété d'applications: à la maison comme système d'urgence (en cas de panne électrique) ou comme principale source d'alimentation électrique de votre chalet, votre VR, votre bateau, etc.

Enerwatt solar panels are versatile and easy to install, making them readily adaptable to a wide variety of applications: at home as an emergency power supply (in the event of power failure), or as your primary power source at the cottage or cabin, in your RV, on you boat, etc.



Spécifications / Specifications :

Puissance maximale - Maximum Power (Pmax)	
Voltage maximum - Maximum Power Voltage (Vmp)	
Courant maximum - Maximum Power Current (Imp)	
Voltage en circuit ouvert - Open Circuit Voltage (Voc)	
Courant en court-circuit - Short Circuit Current (Isc)	
Efficacité du panneau - Module efficiency	
Coef. de temp. de voltage - Volt Temp. Coef. (Vc)	
Coef. de temp. de courant - Current Temp. Coef. (Isc)	
Coef. de temp. de puissance - Power Temp. Coef. (Pmax)	
Voltage maximum - Maximum System Voltage	
Calibre de fusible - Maximum Series Fuse Rating	
Certification	
Classe d'inflammabilité - Fire Rating	
Poids - Weight	
Dimensions du panneau - Module size	

ELECTRICAL PARAMETERS @ STC

Module Type EWS-100P-36

Peak Power	P_{max} (W)	100
Maximun Power Voltage	V_{mp} (V)	18.0
Maximun Power Current	I_{mp} (A)	5.56
Open-circuit voltage	V_{oc} (V)	21.9
Short-circuit current	I_{sc} (A)	6.13
Module Efficiency	η (%)	14.63

Values at standard test conditions STC (Air mass AM1.5, Irradiance 1000W/sqm, Cell temperature 25°C)
Power Measurement Tolerance: 0 / +3%

MECHANICAL DATA

Solar Cell (type / dimension)	Poly-crystalline solar cells / 156 x 104 mm
Cell (quantity / orientation)	36 cells / 4 x 9
Module Dimension (L x W x H)	1020 X 670 X 35 mm
Weight	8.9 kg
Frame (material / color)	Anodized aluminum / silver
Front Glass (material / thickness)	High transmission low-iron tempered glass / 3.2mm
Backsheet (material)	Fluoropolymer coating / PET / polyolefin
Mechanical Load	50 psf, 245Kg/sqm, 2400 Pa, 0.34 psi, front and back
Junction Box (protection degree)	\geq IP 65
Junction Box (diode)	Two (2) bypass diodes
Output Cables (Length/cross-sectional area)	900 mm length, 10 AWG PV cable, UV protected
Connector (type / protection degree)	MC4 / IP68 rated

TEMPERATURE COEFFICIENTS

Nominal Operating Cell Temp. (NOCT)	45 +/- 2 °C
Voltage Temperature Coefficient (VOC)	-0.31% / °C
Current Temperature Coefficient (Isc)	0.033% / °C
Power Temperature Coefficient (Pmax)	-0.42% / °C

MAXIMUM RATINGS

Operational Temperature	-40°C to +85°C
Maximun System Voltage	1000V DC (IEC) - 600V DC (UL)
Max Series Fuse Rating	10A

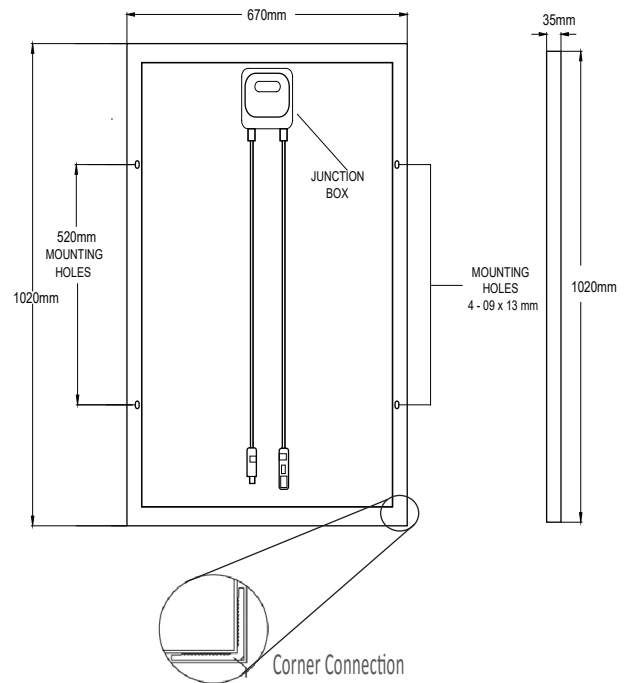
WARRANTY & CERTIFICATIONS

Certification	Tested to IEC 61215 CE .
Fire Rating	Class C
Warranty	12 years workmanship, 12 years 90%, 25 years 80% Power Warranty

Note: The specifications are subject to change without notice.



MECHANICAL DRAW (Back View)



I-V CURVE OF PV MODULE 100W 36c-P

100W 36c-P / I-V CURVES

