



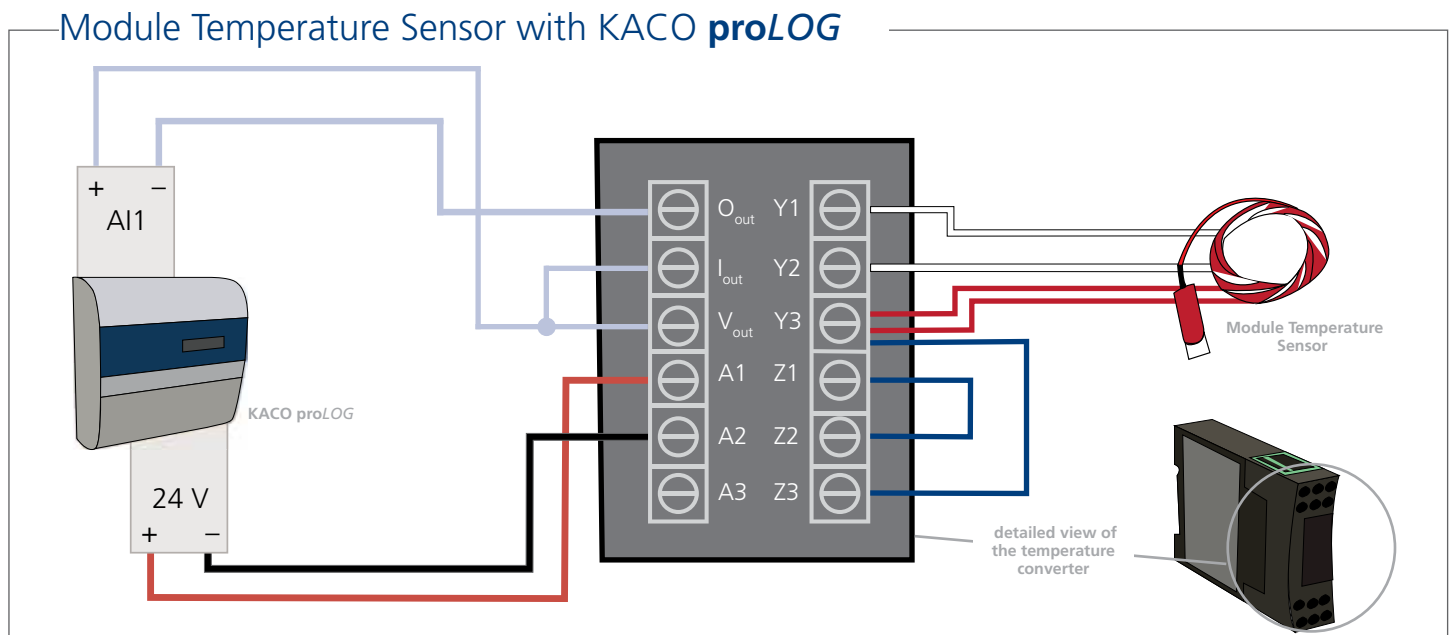
Module Temperature Sensor

Module Temperature Sensor

The module temperature sensor is used by professional PV plant operators to know the temperature of the modules installed in the array. The module temperature sensor converts this reading into a voltage signal. This signal is sent back to the monitoring device. This information is then displayed via the proLOG or the blueplanet professional web portal.*

As the system operator it's important to know the systems' performance. The module temperature sensor will help to enhance kWh performance by ensuring reliable access to the all necessary data.

* not available with standard web monitoring package





Technical Data		Module Temperature Sensor	
Connection Line			
Wires	0.42 cm (4 x 0.2 mm) tin-plated copper		
Insulation	Insulation		
Length	78.7 in (2 m)		
Sensor element	Resistance thermometer (thin-film) with four connections in compliance with DIN 43760 and BS1904/ 1984		
Element Resistance	100 Ohm at 0 °C		
Operating Temperature	-58 °F – 302 °F (-50 °C – 150 °C)		

Technical Data		Temperature Converter	
Input			
Sensor	Pt-100/1000, 2/3 wire (DIN43760), with compensation for cable resistance		
Temperature Range	-58 °F – 572 °F (-50 °C – 300 °C)		
Output			
Supply Voltage	24 V _{DC} (20.4 V _{DC} - 27.6 V _{DC})		
Consumption	2 W		
Isolation			
Input/Output to supply:	3.75 kW AC 1 min.		
Temperature			
Ambient	-4 °F – 131 °F (-20 °C – 55 °C)		
Storage	Module Temperature (0-10 V / Optional)		

KACO Sensor and Monitoring Options

